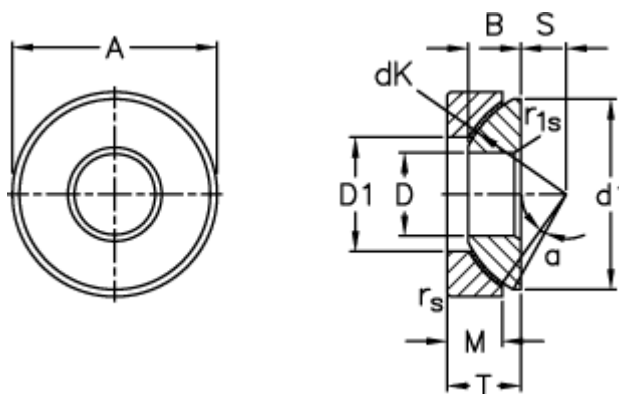


Article number: 03512017

Description: Fluro Rod end GE 17AW

## Measures



A	= 47 0 -0,011	rs, r1s min	= 0.6
B	= 11.8	S	= 11
D	= 17 0 -0,008	Static axial load C0 (kN)	= 236
d1 max	= 43.5	T	= 16 +0,25 -0,40
D1 min	= 27	Tilt angle	= 4
dK	= 52	Weight	= 137
Dynamic axial load C (kN)	= 118		
M	= 11.2		